



## 3-Way Stem Valves

3-way valves are 2-way valves with the added function of exhausting the outlet when the valve is closed. When the stem is depressed, the valve is in the "on" position allowing air to flow from the inlet to the outlet while

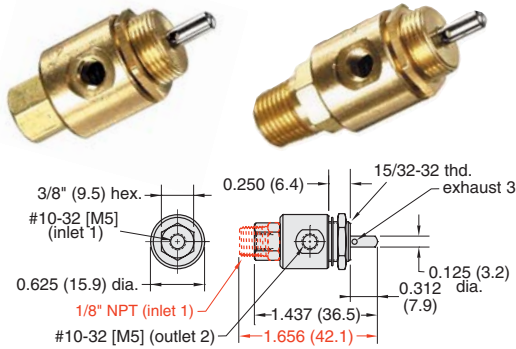
blocking the exhaust. Releasing the stem closes the inlet and opens the outlet to an exhaust port which vents the outlet to atmosphere. 3-way stem valves may have a poppet or spool and be Normally-Closed (N.C.) or Normally-Open (N.O.).

**Medium:** Air

**Stem Travel:** 1/8" (3.2)

**Materials:** Brass body, Buna-N seals, stainless steel stem and spring

## Miniature 3-Way Poppet Valves



**Input Pressure:** 300 psig/21 bar max.

**Air Flow:** 4.0 scfm @ 50 psig; 6.8 scfm @ 100 psig;  
170 l/min @ 6 bar

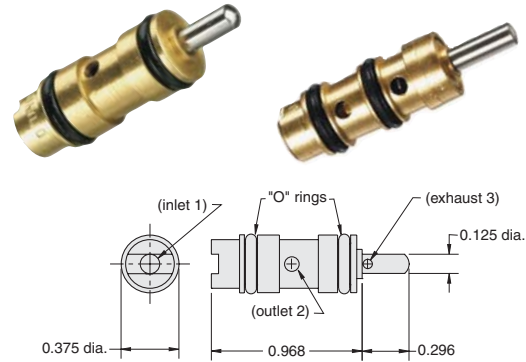
**Force For Full Stem Travel:** 24 oz. nominal

**Mounting:** 15/32-32 thread. Nut and lockwasher furnished.



Part No.	Description
<a href="#">MAV-3</a>	Miniature Poppet Valve, #10-32
<a href="#">MAV-3-M5</a>	Miniature Poppet Valve, M5
<a href="#">MAV-3P</a>	Miniature Poppet Valve, 1/8" NPT

## Miniature Cartridge Valves



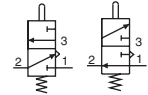
**Input Pressure:** 300 psig

**Air Flow:** 3.0 scfm @ 50 psig; 6.0 scfm @ 100 psig

**Force For Full Stem Travel:** 24 oz. nominal

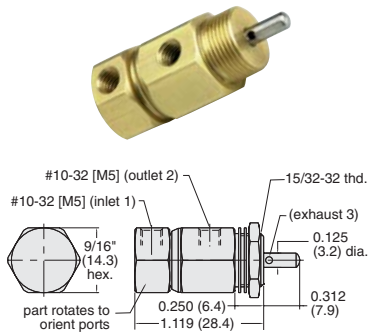
**Mounting:** Inserts into a 3/8" bore (0.375" 0.001")

**Note:** See page 104 for mounting details



Part No.	Description
<a href="#">MAV-3C</a>	Normally-Closed Poppet Cartridge Valve
<a href="#">MAVO-3C</a>	Normally-Open Spool Cartridge Valve

## N.C. Poppet Valves with Rotatable Inlet



**Input Pressure:** 300 psig/21 bar max.

**Air Flow:** 4.0 scfm @ 50 psig; 6.8 scfm @ 100 psig;  
170 l/min @ 6 bar

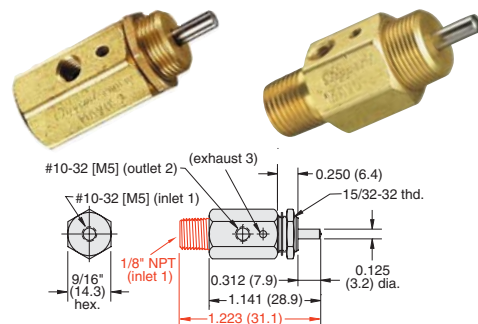
**Force For Full Stem Travel:** 24 oz. nominal

**Mounting:** 15/32-32 thread. Nut and lockwasher furnished.



Part No.	Description
<a href="#">MAV-3R</a>	Normally-Closed Valve with Rotatable Inlet, #10-32
<a href="#">MAV-3R-M5</a>	Normally-Closed Valve with Rotatable Inlet, M5

## Normally-Open Spool Valves



**Input Pressure:** 150 psig/10 bar max.

**Air Flow:** 6.0 scfm @ 50 psig; 10 scfm @ 100 psig;  
245 l/min @ 6 bar

**Force For Full Stem Travel:** 32 oz. nominal

**Mounting:** 15/32-32 thread. Nut and lockwasher furnished.



Part No.	Description
<a href="#">MAVO-3</a>	Normally-Open Spool Valve, #10-32
<a href="#">MAVO-3-M5</a>	Normally-Open Spool Valve, M5
<a href="#">MAVO-3P</a>	Normally-Open Spool Valve, 1/8" NPT